

24/7 ASSET MONITORING SOLUTION

AN-F1 ANTENNA DATASHEET

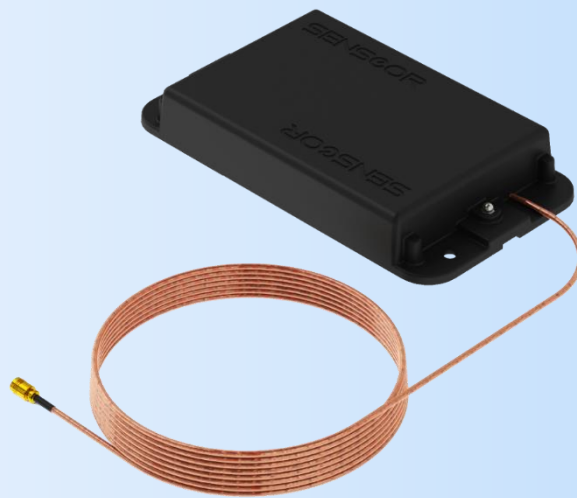
SENSeOR (head office)

Bâtiment Natura 2
1198, avenue du Docteur
Maurice Donat
06250 Mougins
France

ISO 9001:2015

BUREAU VERITAS
Certification

Contact address:

support.senseor@wika.com

Regional distributors

Visit www.senseor.com for
the latest distribution
locations.



APPLICATION

The *AN-F1 antennas* are dedicated to switchgear monitoring for measurement of *TSAEV11 temperature sensors* and partial discharge detection. They are designed for use inside metallic cavities only like the switchgear cabinet and tuned to be compliant with IEC 62271 enabling a license-free use in switchgear worldwide.

This datasheet covers the following products:

- **AN-F1-295**: Antenna with 295 cm cable length.
- **AN-F1-455**: Antenna with 455 cm cable length.
- **AN-F1-620**: Antenna with 620 cm cable length.
- **AN-F1-800**: Antenna with 800 cm cable length.
- **AN-F1-1000**: Antenna with 1020 cm cable length.

FIXATION MODES

The antenna is mounted with two M5 screws (not included) on the metallic surface of the compartment.



Figure 1: Fixation mode

SERIALIZATION LABEL

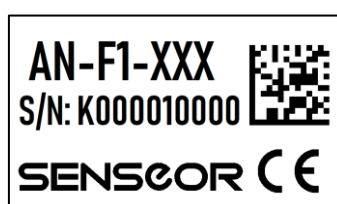


Figure 2: Product label

SPECIFICATIONS

PRODUCT REFERENCES	WIKA PART NUMBER
AN-F1-295	14578124
AN-F1-455	14578134
AN-F1-620	14578136
AN-F1-800	14578139
AN-F1-1000	14614807

INTERFACE	
Connector	Female SMB

CHARACTERISTICS	
Mode	Passive
Radiation pattern	Omnidirectional
Requirements	Antenna must be fixed on a metallic ground plane such as the walls of the compartment No metallic parts within 10 cm around the antenna

PHYSICALS	
Dimensions	177 x 97 x 26 mm – without cable
Weight	215 g
Operating conditions	From -25 to +85°C
Ingress protection code	IP54
Enclosure	Black ABS
Fixation modes	Using 2x M5 screws (not included) <i>Magnets under the antenna only used for installation adjustments</i>

CERTIFICATIONS

RoHS 2011/65/EU and 2015/863/EU
 IEC 62271-1: Switchgear, CISPR11
 IEC 61000-4-2, IEC 61000-4-4, IEC 61000-4-17
 IEC 61000-4-18, IEC 61000-4-29
 IEC 60068-2-1, IEC 60068-2-2, IEC 60068-2-6, IEC 60068-2-30
 IEC 60068-2-6, IEC 60068-2-78
 IEC 60255-21-1, IEC 60255-21-3



PHYSICAL DIMENSIONS

Unit in mm.

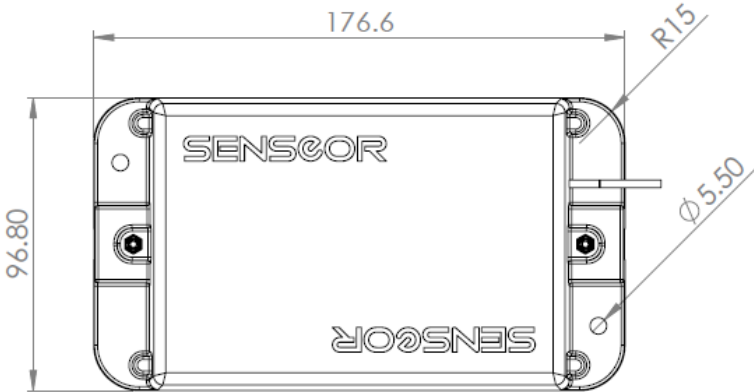


Figure 3: Top view

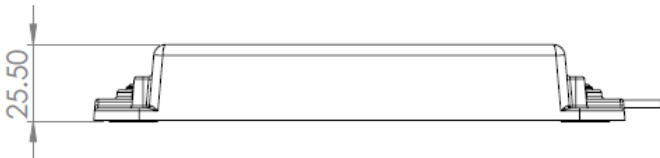


Figure 4: Side view

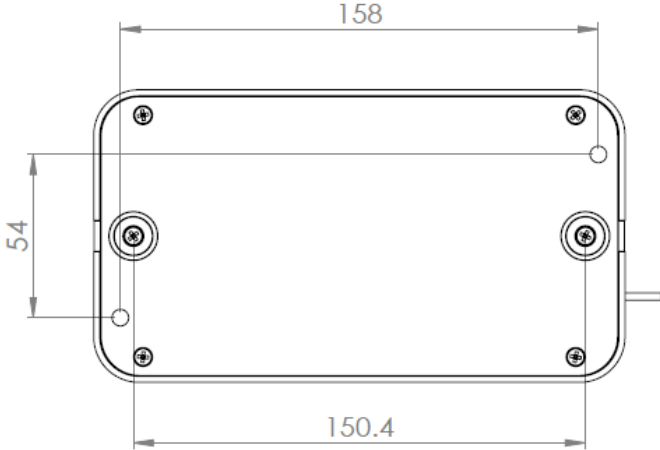


Figure 5: Bottom view